

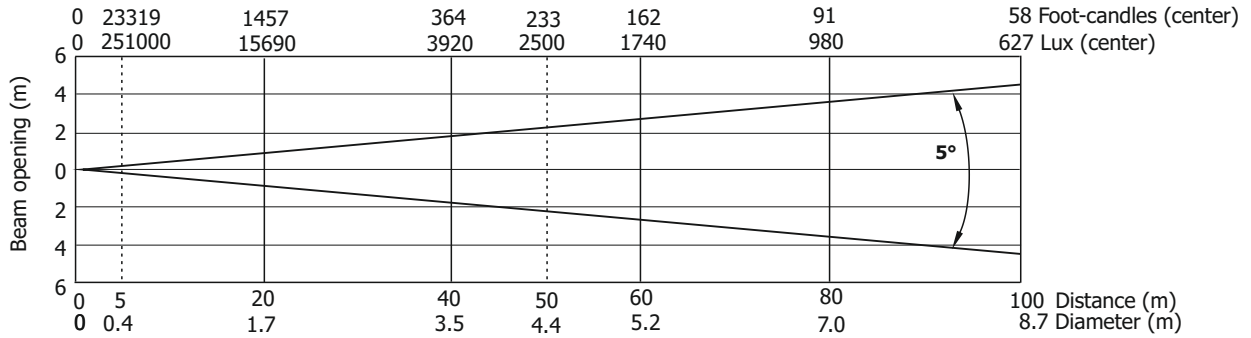
Robin BMFL Spot

Photometric Diagram

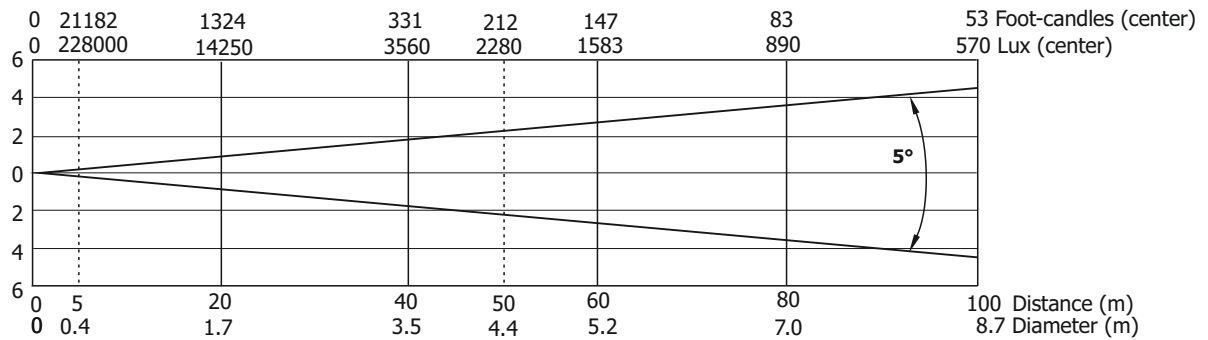
Lamp: Osram Lok-it! HTI 1700/PS

Min. Zoom

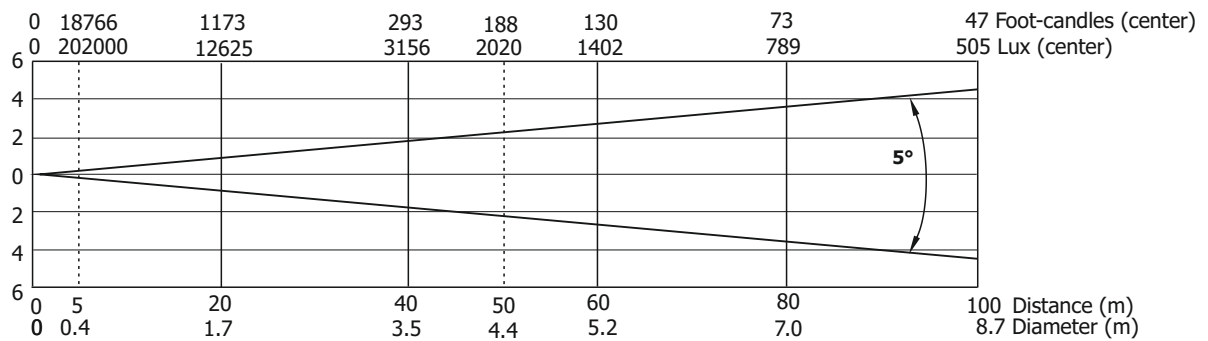
Lamp power=1700W
Total Output: 32000 lumens



Lamp power=1500W
Total Output: 28470 lumens



Quiet mode
Total Output: 24960 lumens

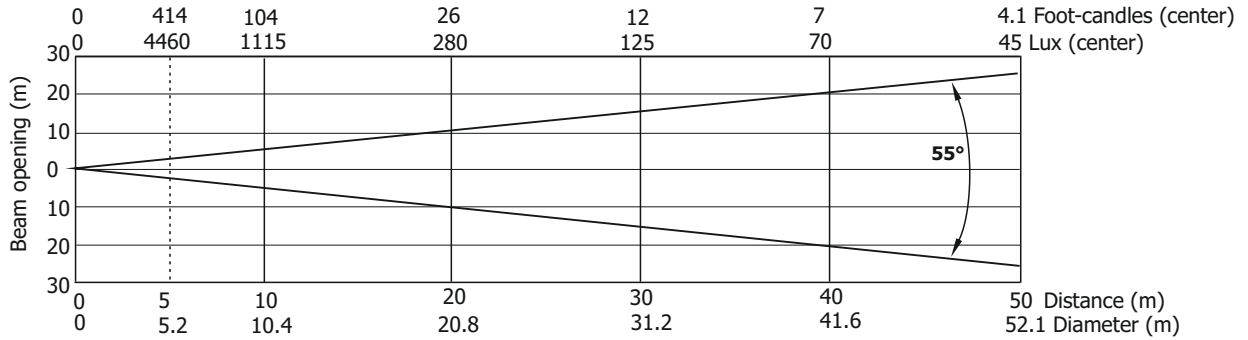


Robin BMFL Spot

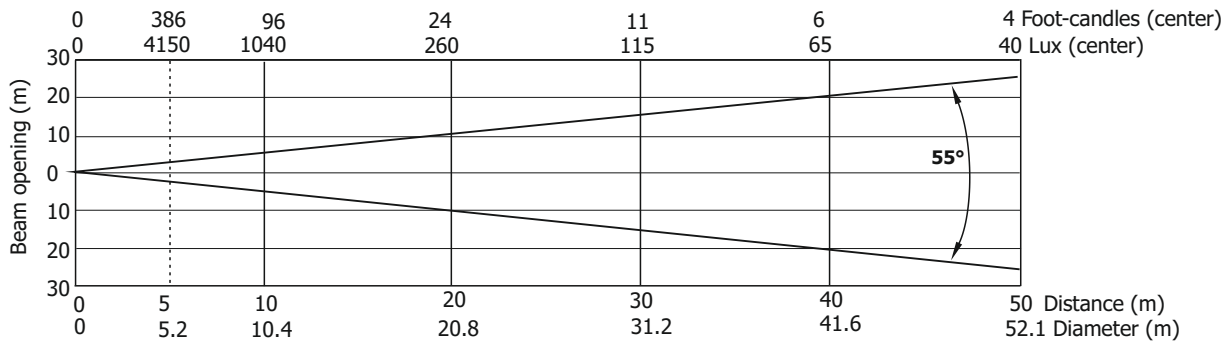
Photometric Diagram

Max. Zoom

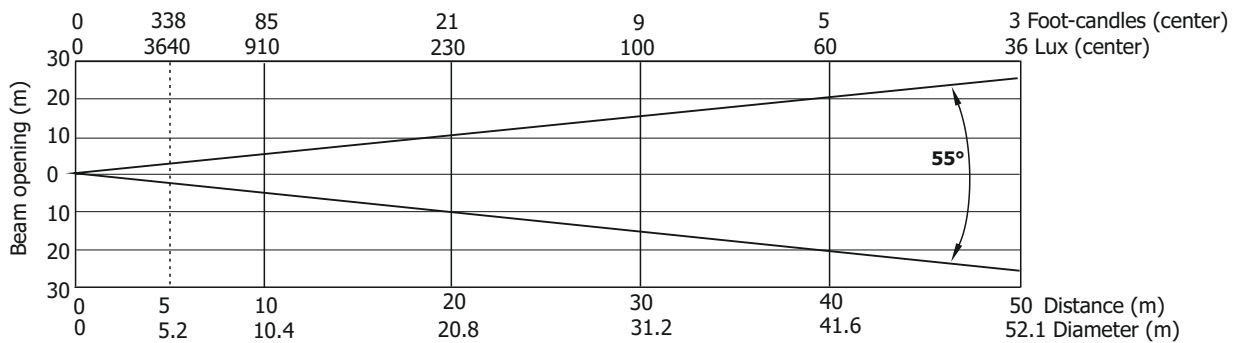
Lamp power=1700W
Total Output: 40000 lumens



Lamp power=1500W
Total Output: 36500 lumens



Quiet mode
Total Output: 32000 lumens

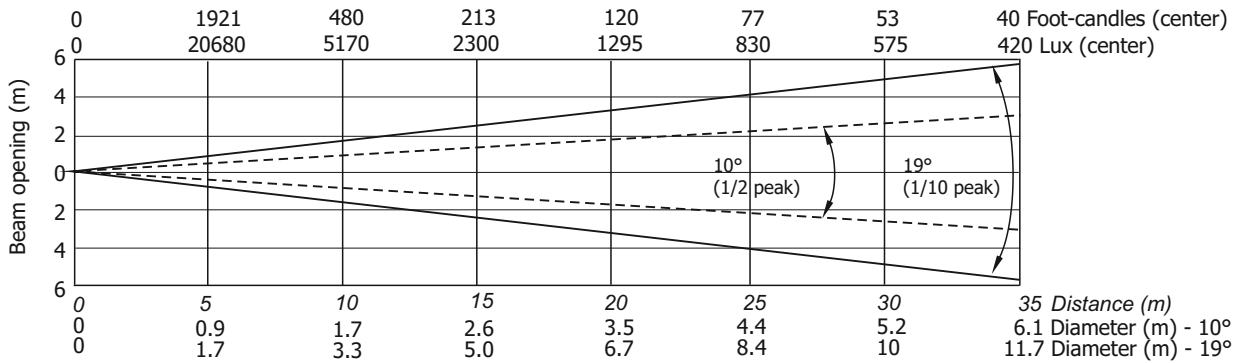


Robin BMFL Spot

Photometric Diagram

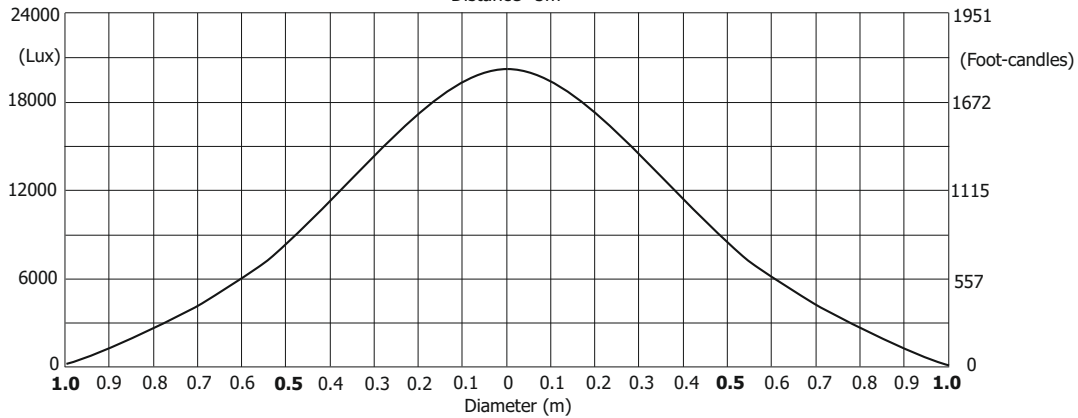
Min. Zoom with Light Frost

Lamp power=1700W

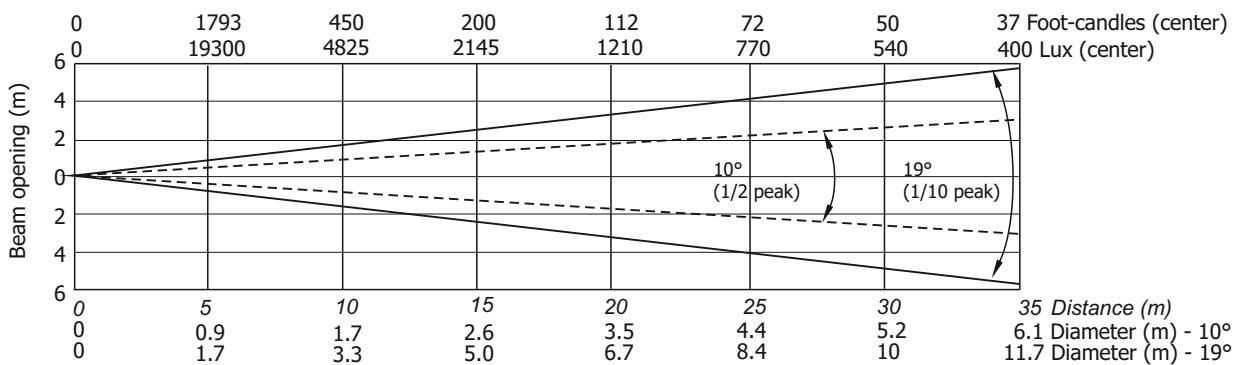


Illuminance distribution

Distance=5m

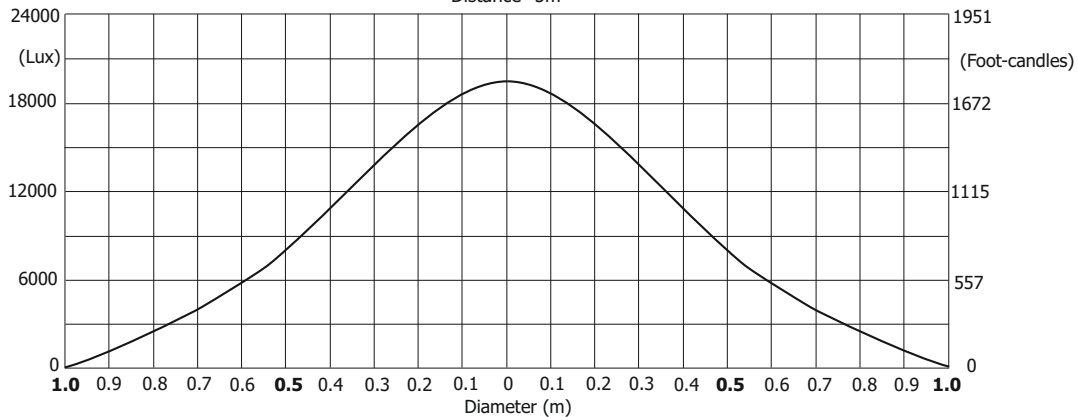


Lamp power=1500W



Illuminance distribution

Distance=5m

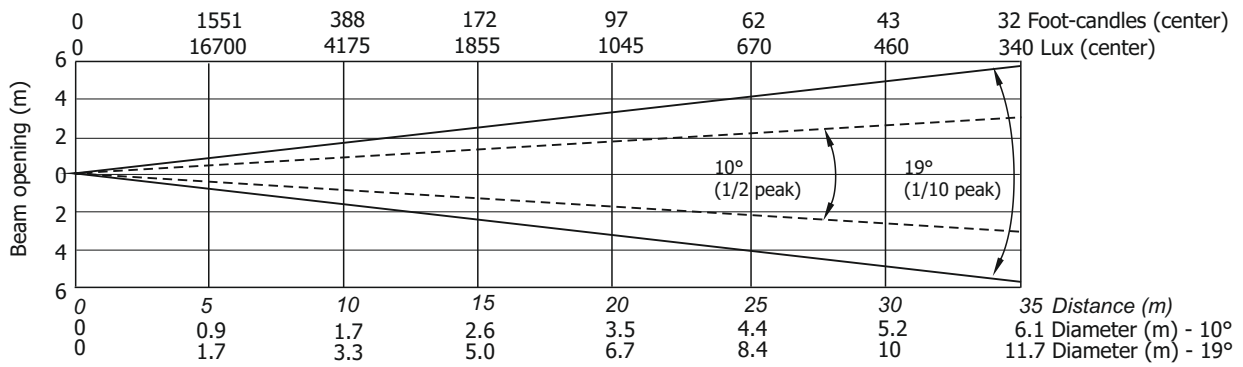


Robin BMFL Spot

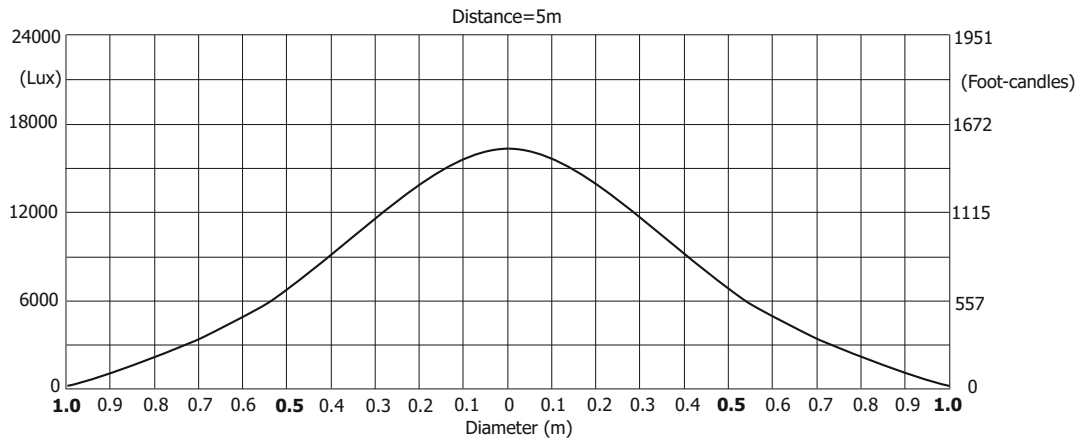
Photometric Diagram

Min. Zoom with Light Frost

Quiet mode



Illuminance distribution

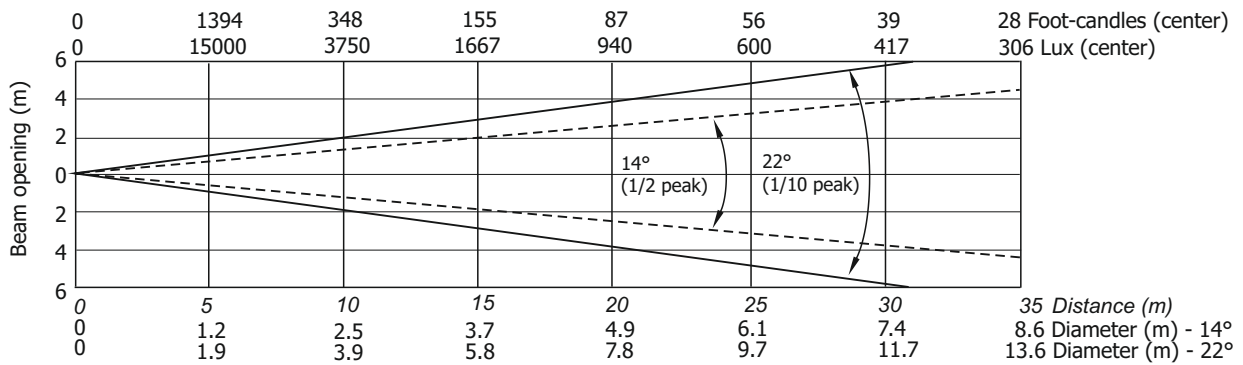


Robin BMFL Spot

Photometric Diagram

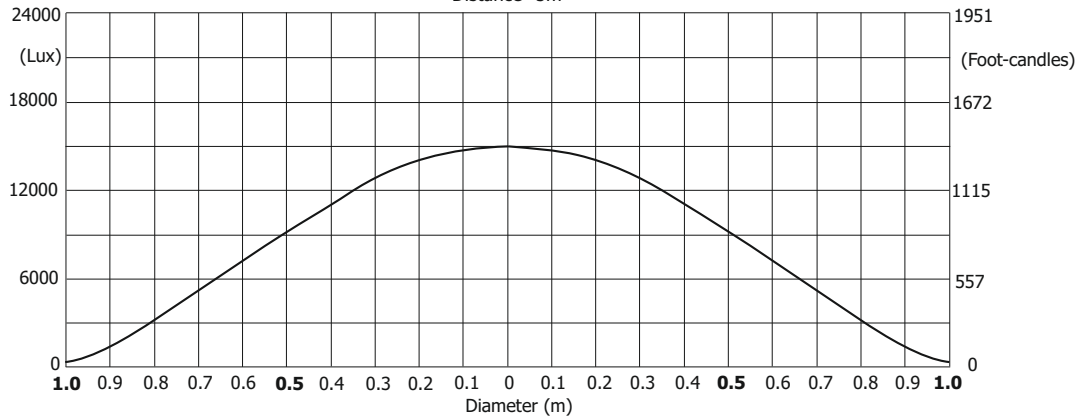
Min. Zoom with Medium Frost

Lamp power=1700W

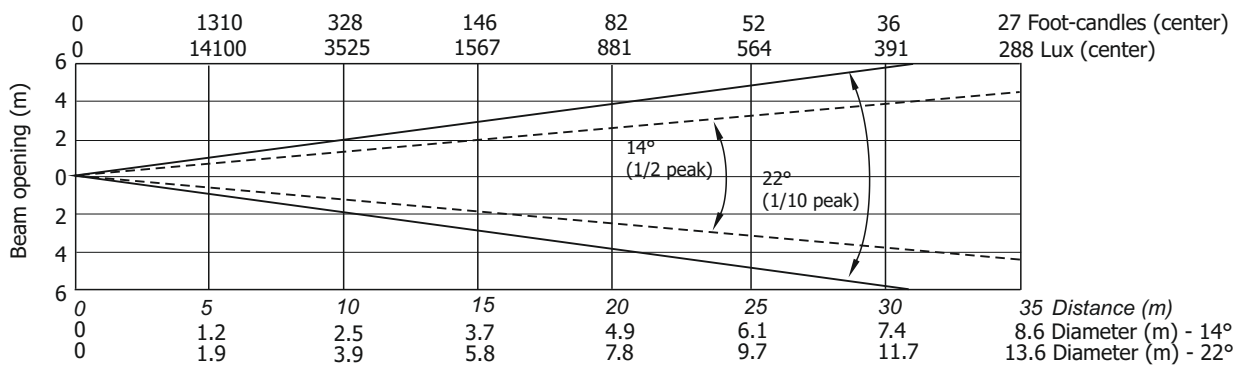


Illuminance distribution

Distance=5m

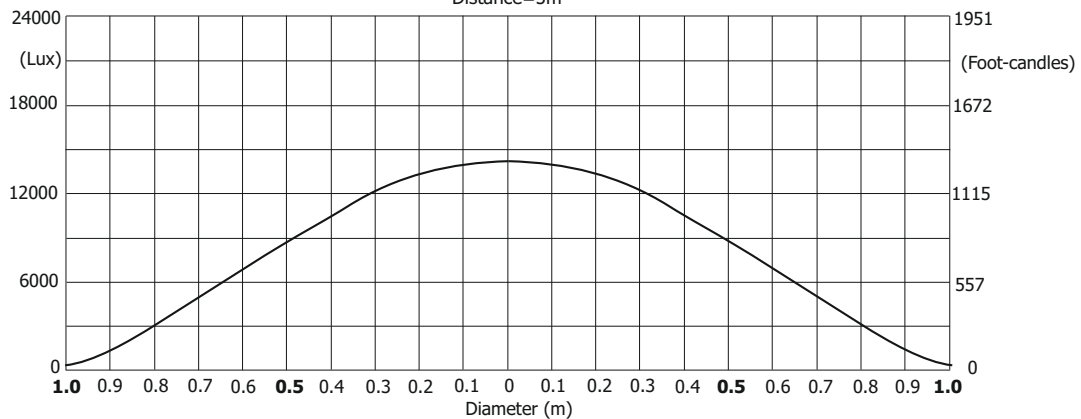


Lamp power=1500W



Illuminance distribution

Distance=5m

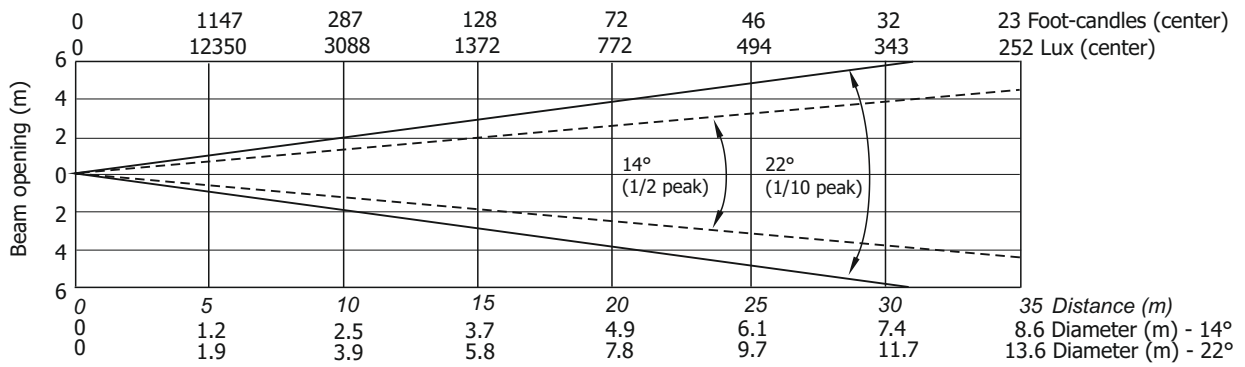


Robin BMFL Spot

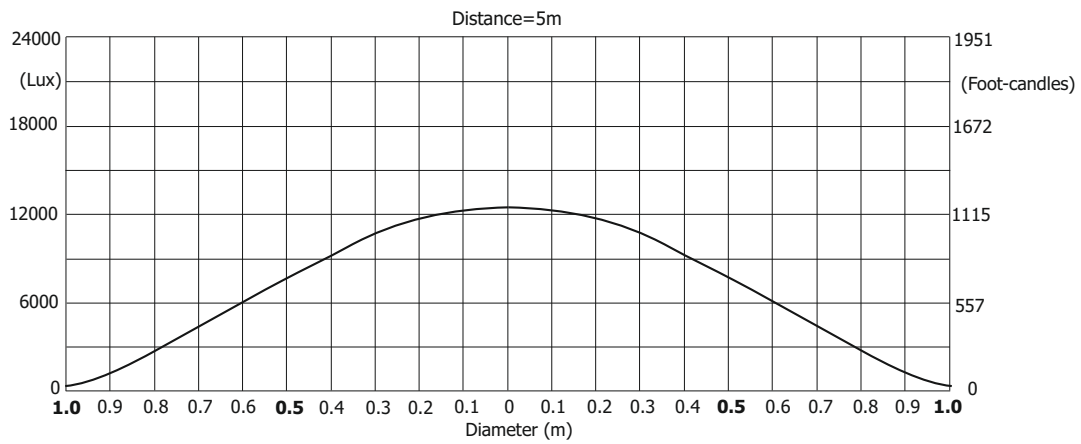
Photometric Diagram

Min. Zoom with Medium Frost

Quiet mode



Illuminance distribution

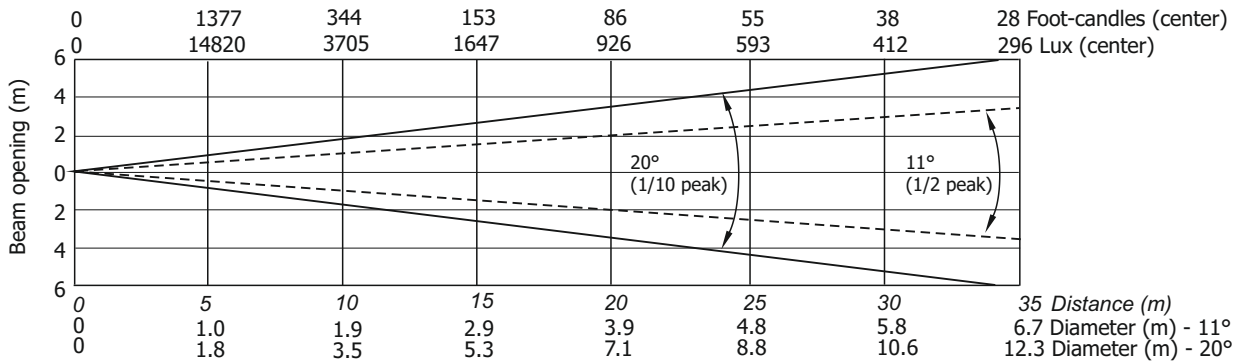


Robin BMFL Spot

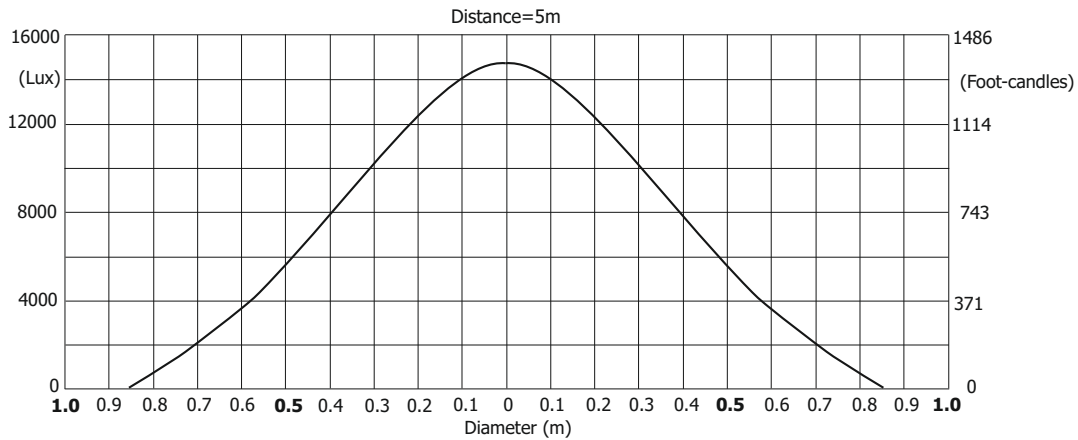
Photometric Diagram

Min. Zoom with Heavy Frost

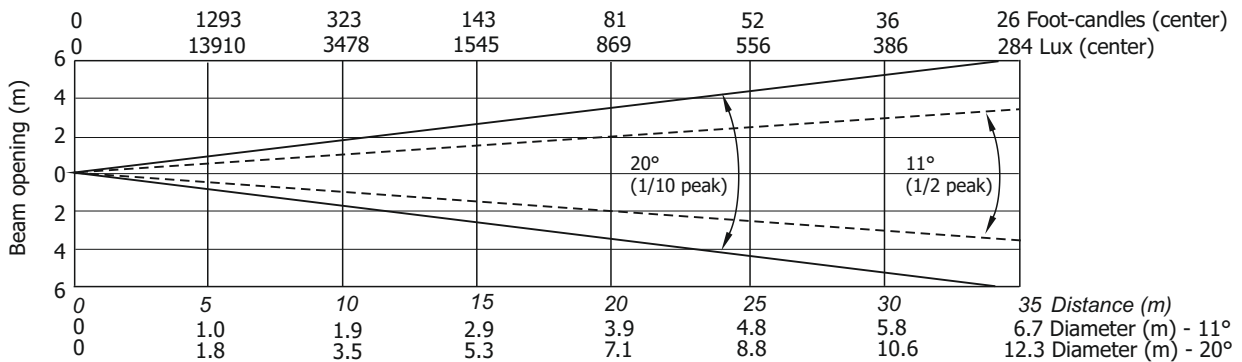
Lamp power=1700W



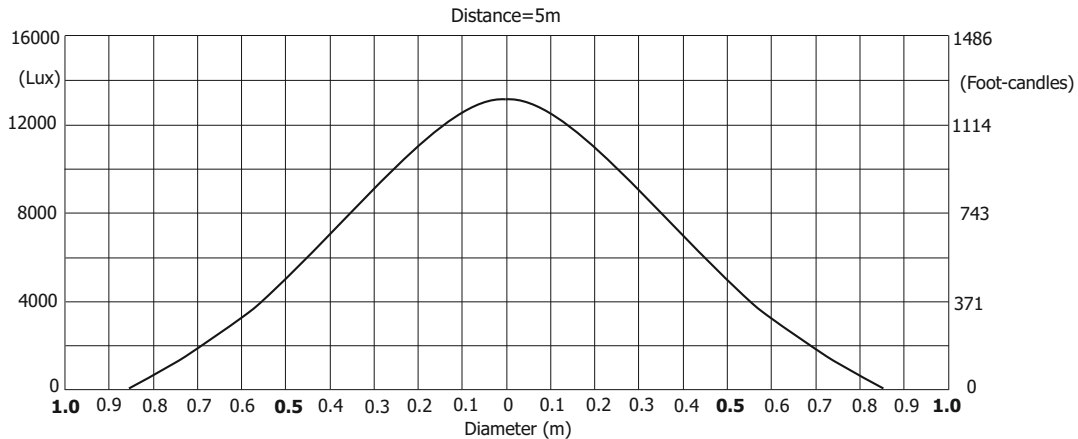
Illuminance distribution



Lamp power=1500W



Illuminance distribution

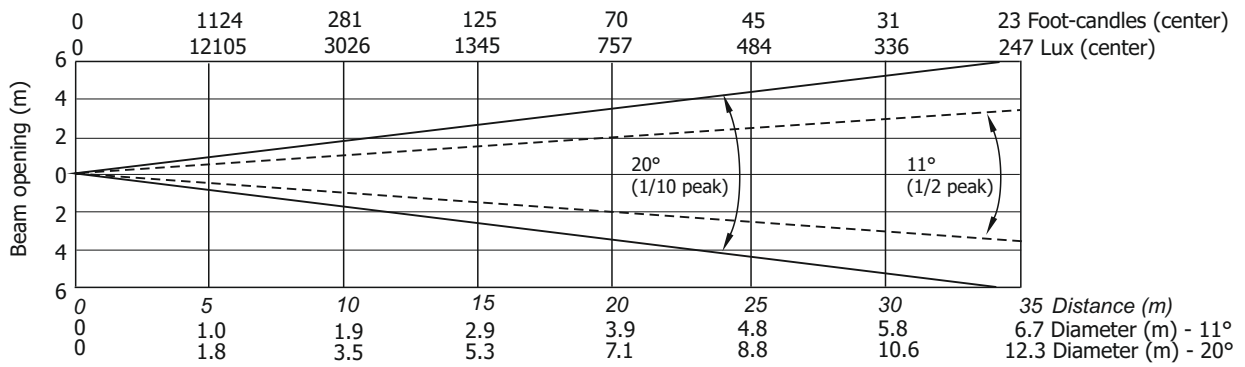


Robin BMFL Spot

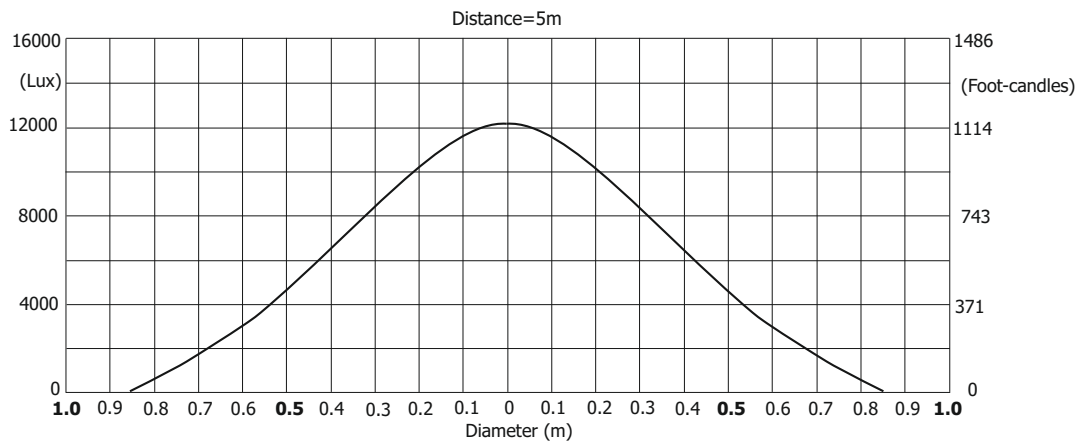
Photometric Diagram

Min. Zoom with Heavy Frost

Quiet mode



Illuminance distribution

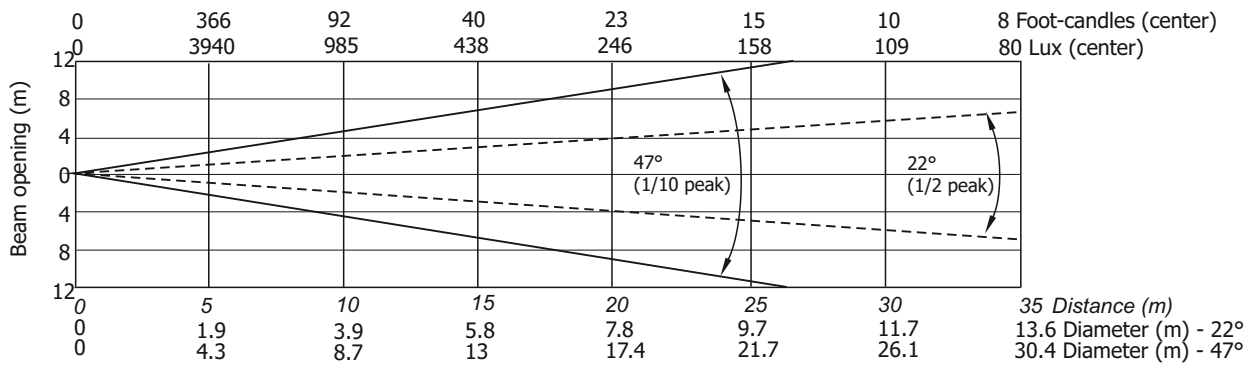


Robin BMFL Spot

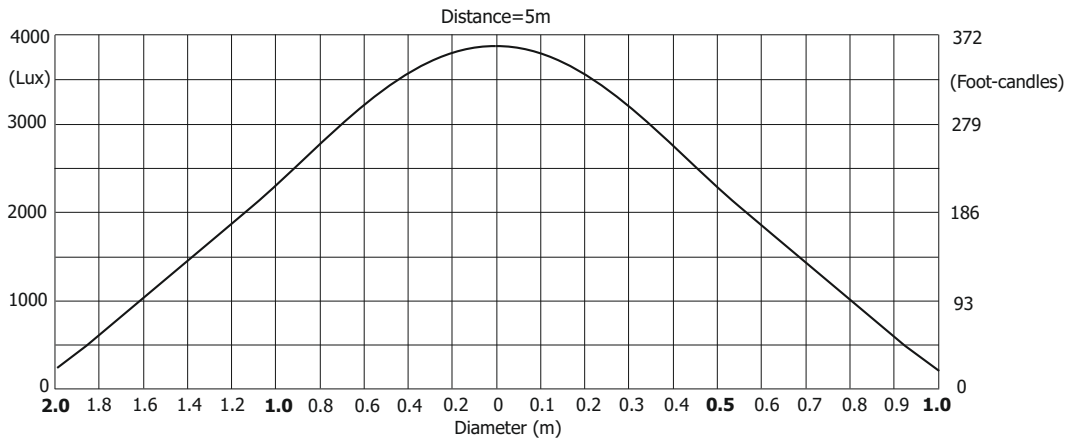
Photometric Diagram

Max. Zoom with Light Frost

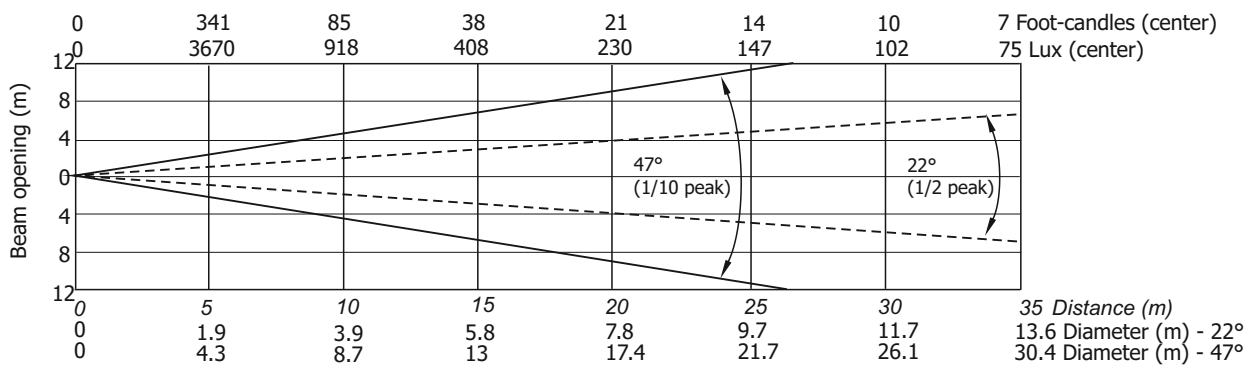
Lamp power=1700W



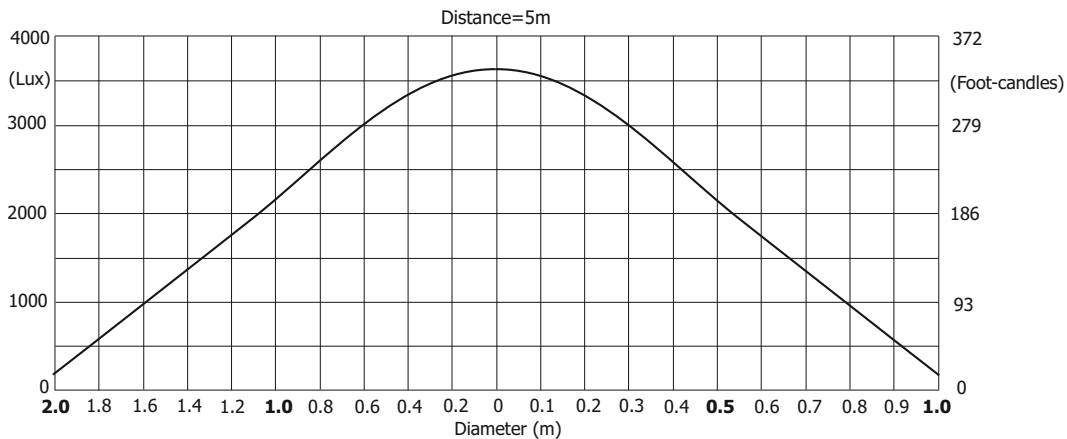
Illuminance distribution



Lamp power=1500W



Illuminance distribution

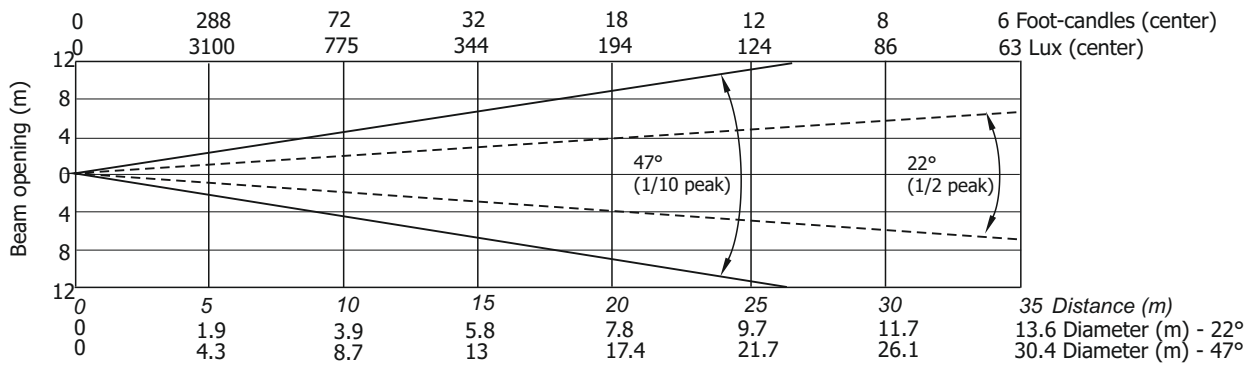


Robin BMFL Spot

Photometric Diagram

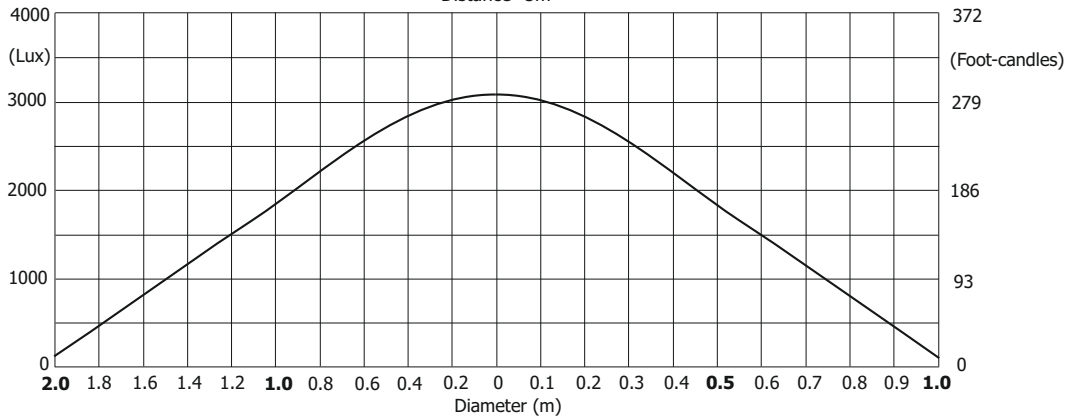
Max. Zoom with Light Frost

Quiet mode



Illuminance distribution

Distance=5m

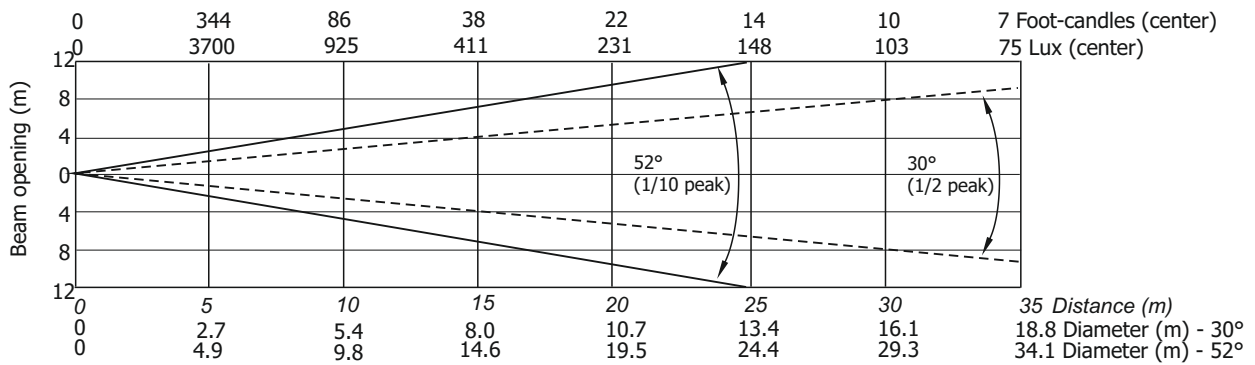


Robin BMFL Spot

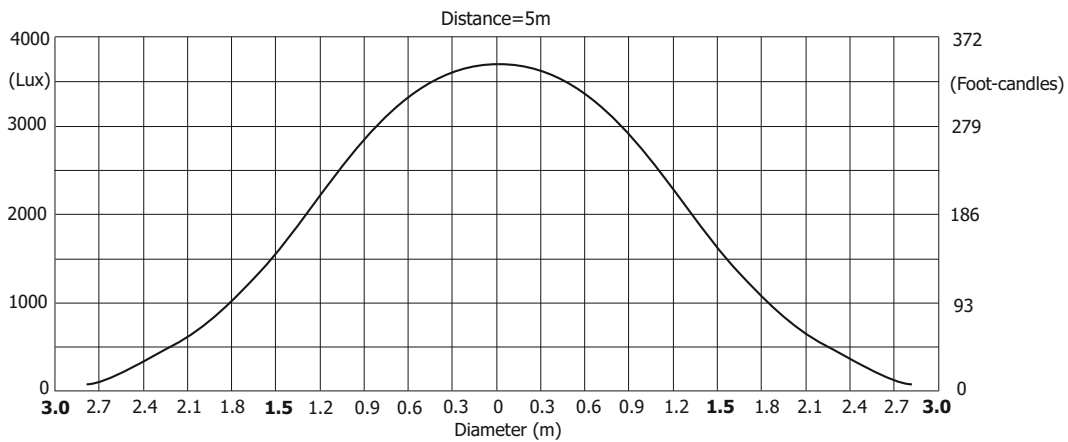
Photometric Diagram

Max. Zoom with Medium Frost

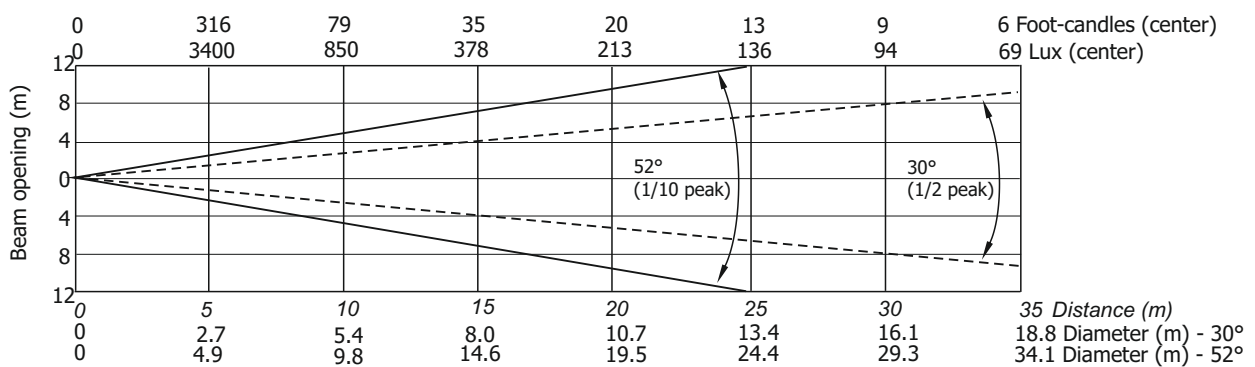
Lamp power=1700W



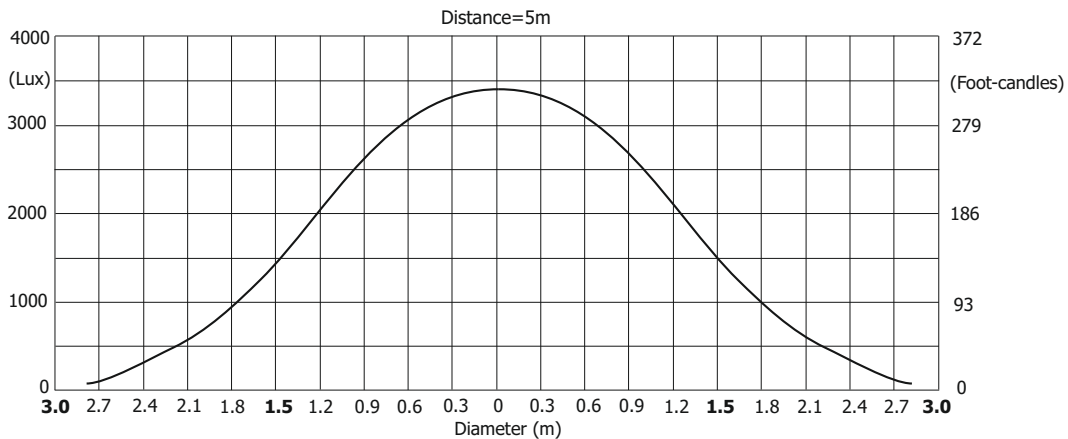
Illuminance distribution



Lamp power=1500W



Illuminance distribution

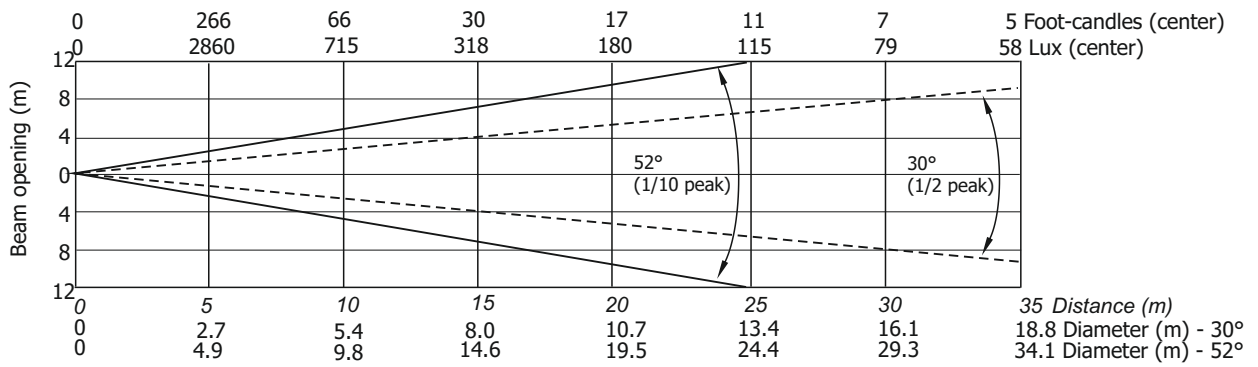


Robin BMFL Spot

Photometric Diagram

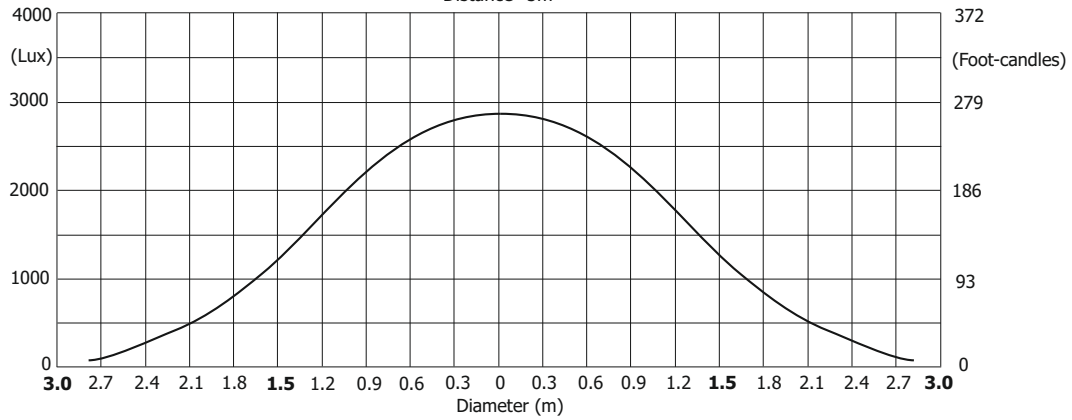
Max. Zoom with Medium Frost

Quiet mode



Illuminance distribution

Distance=5m

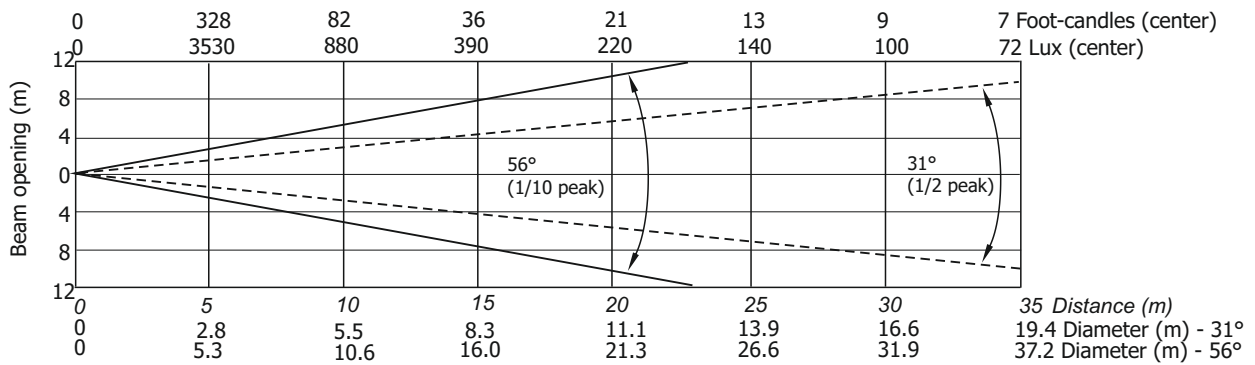


Robin BMFL Spot

Photometric Diagram

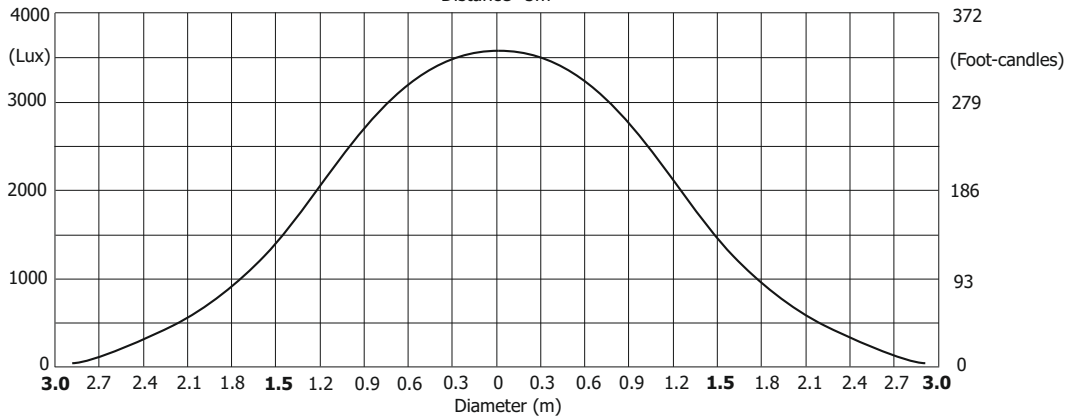
Max. Zoom with Heavy Frost

Lamp power=1700W

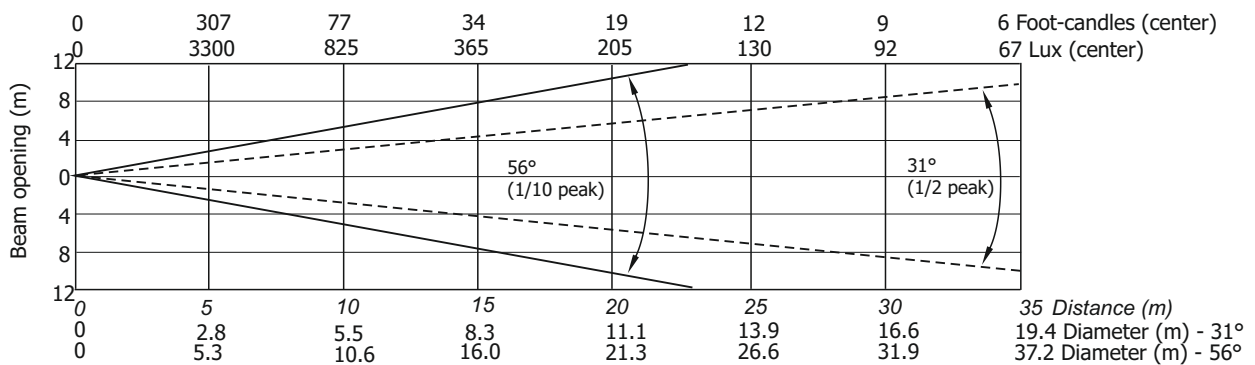


Illuminance distribution

Distance=5m

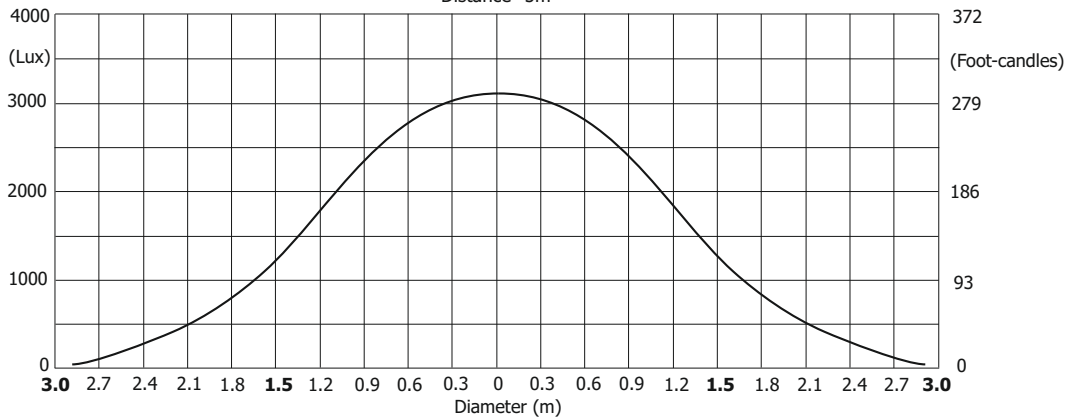


Lamp power=1500W



Illuminance distribution

Distance=5m

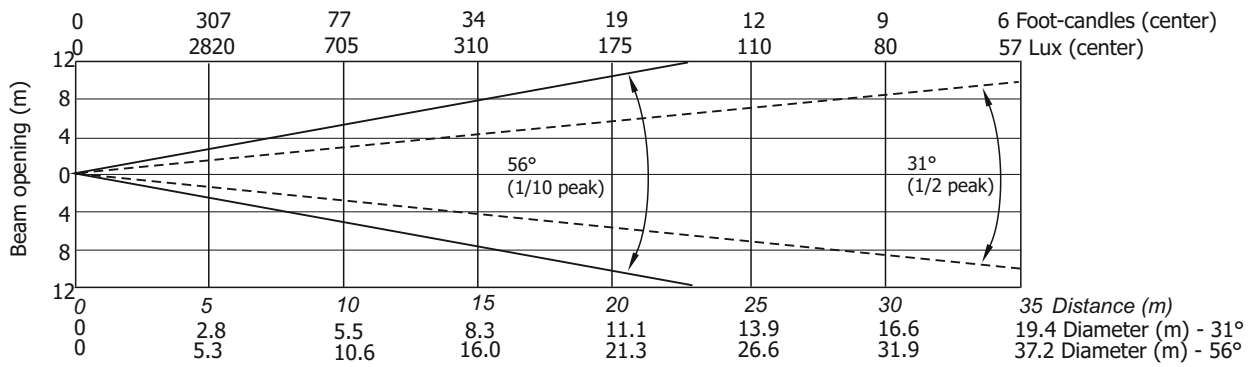


Robin BMFL Spot

Photometric Diagram

Max. Zoom with Heavy Frost

Quiet mode



Illuminance distribution

Distance=5m

