

Robin MegaPointe

Photometric Diagram

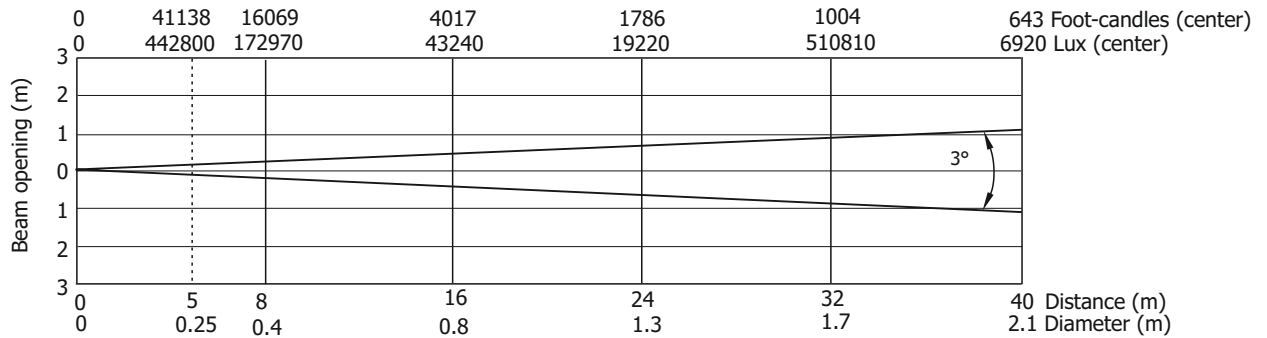
Lamp: Osram Sirius HRI 470W

Close Proximity mode On

Beam Application

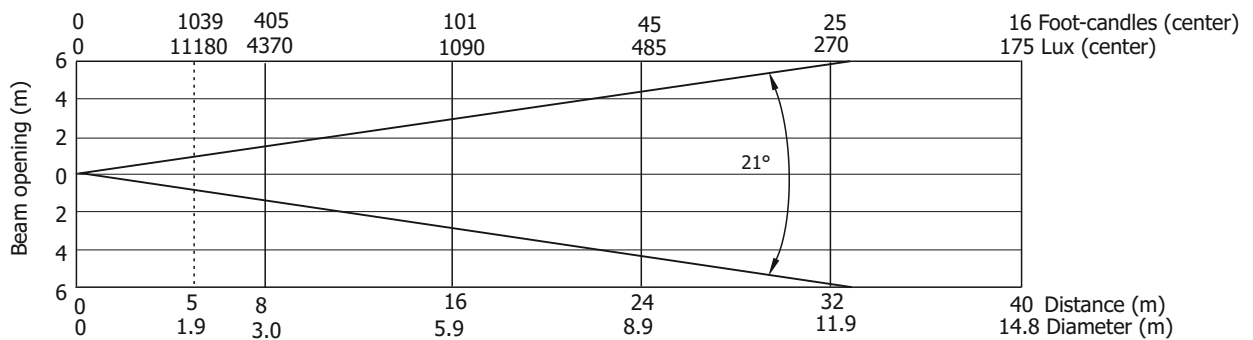
Min. Zoom (Min. Hot-Spot, Ratio 2.7:1)

Total Output: 12360 lumens



Max. Zoom (Min. Hot-Spot, Ratio 3.5:1)

Total Output: 14720 lumens



Fixture setting
CRI Setting: Standard
Close Proximity Mode On
Hot-Spot control: 1 DMX
Lamp mode: Standard

Robin MegaPointe

Photometric Diagram

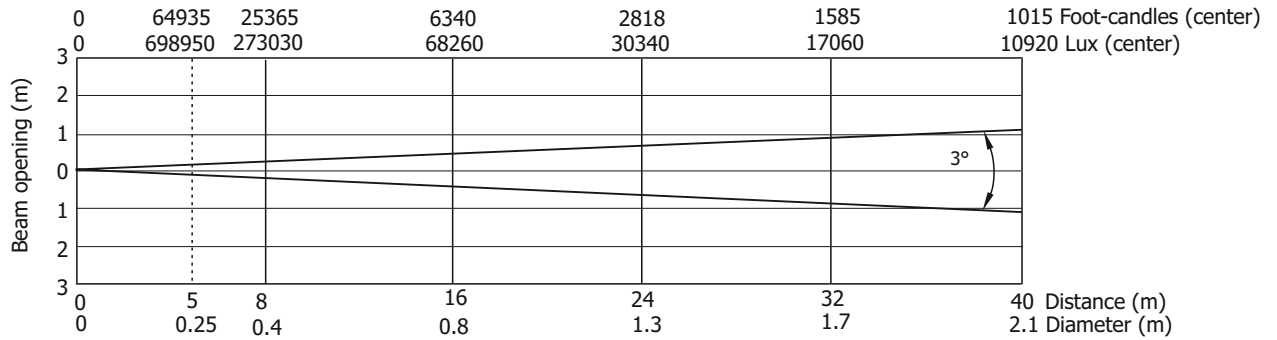
Lamp: Osram Sirius HRI 470W

Close Proximity mode On

Beam Application

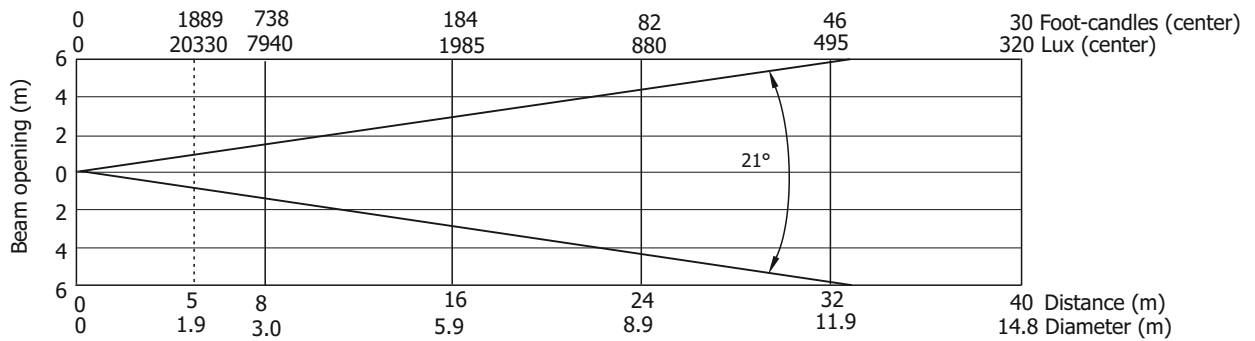
Min. Zoom (Max. Hot-Spot, Ratio 5:1)

Total Output: 15930 lumens



Max. Zoom (Max. Hot-Spot, Ratio 7:1)

Total Output: 16008 lumens



Fixture setting
CRI Setting: Standard
Close Proximity Mode On
Hot-Spot control: 0 DMX
Lamp mode: Standard

Robin MegaPointe

Photometric Diagram

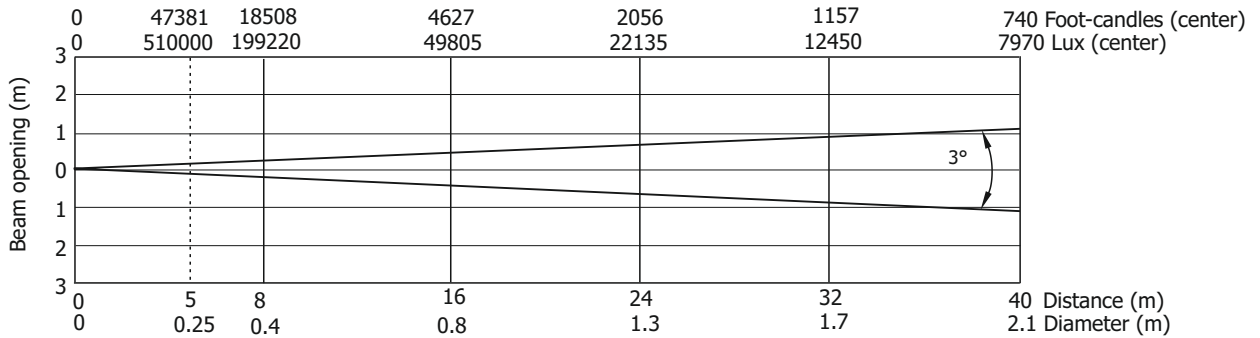
Lamp: Osram Sirius HRI 470W

Close Proximity mode On

Spot Application

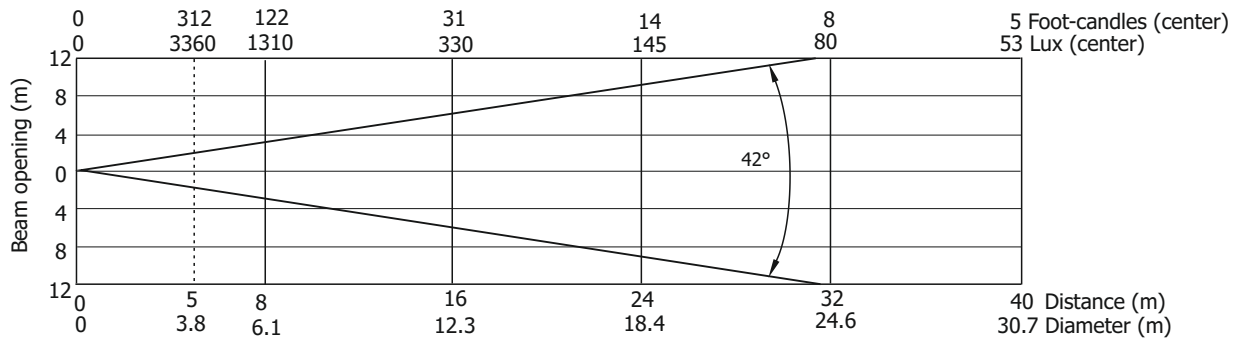
Min. Zoom (Min. Hot-Spot, Ratio 2.5:1)

Total Output: 14240 lumens



Max. Zoom (Min. Hot-Spot, Ratio 3.2:1)

Total Output: 17800 lumens



Fixture setting
CRI Setting: Standard
Close Proximity Mode On
Hot-Spot control: 0 DMX
Lamp mode: Standard

Robin MegaPointe

Photometric Diagram

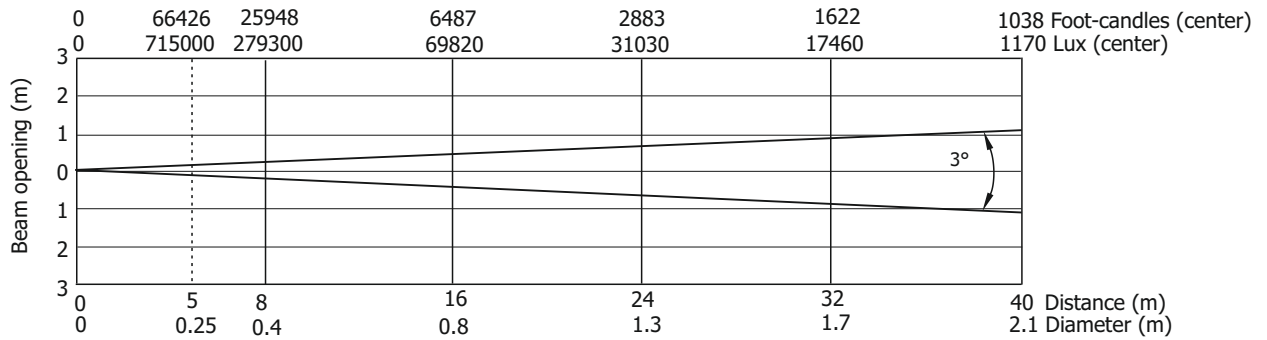
Lamp: Osram Sirius HRI 470W

Close Proximity mode On

Spot Application

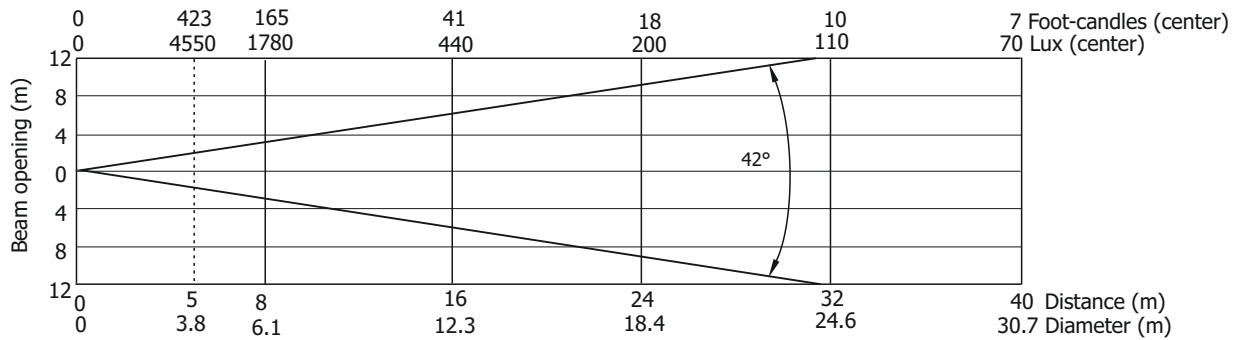
Min. Zoom (Max. Hot-Spot, Ratio 4:1)

Total Output: 16300 lumens



Max. Zoom (Max. Hot-Spot, Ratio 5:1)

Total Output: 20375 lumens



Fixture setting
CRI Setting: Standard
Close Proximity Mode On
Hot-Spot control: 255 DMX
Lamp mode: Standard